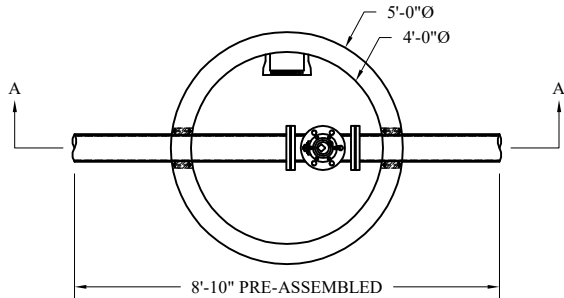
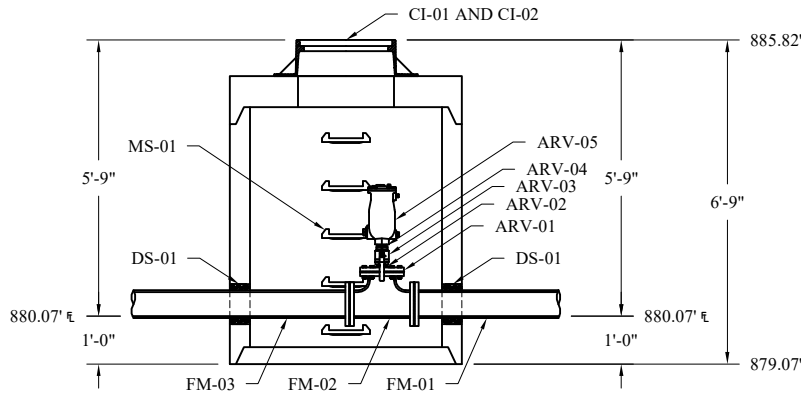


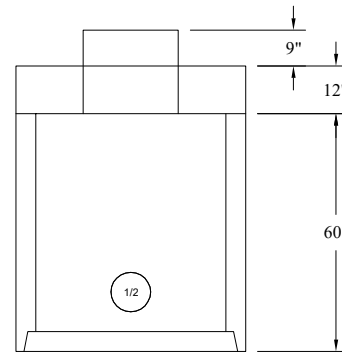
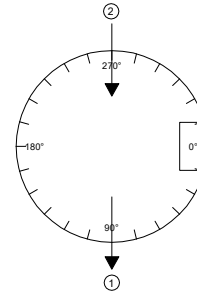
TOP DETAIL



**PLAN VIEW
TOP REMOVED FOR CLARITY**



SECTION A-A



PRODUCTION DETAILS

BUILD SHEET		
ITEM	QUANTITY	DESCRIPTION
FM-01	1	06" X 4'-6" FLG X PE DIP CL53 CL/PC
FM-02	1	06" FLG TEE C110 CL/PC
FM-03	1	06" X 3'-0" FLG X PE DIP CL53 CL/PC
ARV-01	1	06" BLIND FLG 2T@C C110 / PC
ARV-02	1	02" X 6 1/2" 304 STAINLESS STEEL NIPPLE
ARV-03	1	02" STAINLESS STEEL BONOMI THRD BALL VALVE
ARV-04	1	02" X 2 1/2" 304 STAINLESS STEEL NIPPLE
ARV-05	1	02" X 01" VAL-MATIC 801ASXD COMBINATION AIR VALVE
	3	06" RED RUBBER GASKET WITH S/S BOLT KIT
DS-01	2	BLACKTHORN DURA-SEAL 6 MAHOLE GASKET
CI-01	1	EJ 1058Z FRAME
CI-02	1	EJ 1058 AGS "SANITARY" COVER
MS-01	5	M.A. INDUSTRIES PSI-PF STEP
	2	CON-SEAL CS-102 7/8" SEALANT (ROLLS)

PIPE #	ELEVATION	PIPE TYPE	HOLE TYPE	ANGLE	UP TO CENTER	ITEM	HOLE HEIGHT	HOLE WIDTH	OVER INSIDE
1	880.07'	06" D.I.P.	HOLE	90	15	ITEM 1	10	10	37.75
2	880.07'	06" D.I.P.	HOLE	270	15	ITEM 1	10	10	113

DESCRIPTION	UOM	QUANTITY	WEIGHT (LBS)
EJ 1058 AGS "SANITARY" COVER	EA	1	135
EJ 1058Z FRAME	EA	1	230
48"Ø X 12" FLAT TOP WITH 24"Ø HOLE	EA	1	1,500
48"Ø X 60" RISER WITH PRE-ASSEMBLED PVF	EA	1	4,975
TOTAL STRUCTURE			6,840

NCI

Norwalk Concrete Industries

80 Commerce Drive
Norwalk, Ohio 44857
www.nciprecast.com

Toll Free 800.733.3624
Phone 419.668.8167
Fax 419.663.0627

NCI JOB # 18-1222

REVISIONS:	DWG:	DATE:	SHT. -
07-20-18	181222-1	02-23-18	OF - JDH