

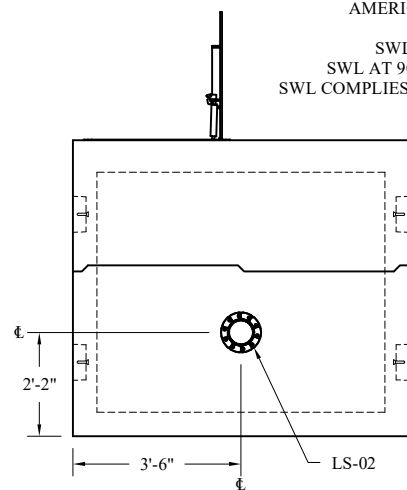
BUILD SHEET

ITEM	QUANTITY	DESCRIPTION
DIP-01	1	08" X 2'-6 $\frac{1}{4}$ " FLG X PE DIP
DIP-02	1	08" X 08 X 06" FLG X FLG X FLG DIP TEE
DIP-03	1	06" X 3'-8" FLG X PE DIP
DIP-04	1	08" X 3'-6" FLG X PE DIP WITH $\frac{1}{2}$ " TAP (CENTERED FROM FLG AND INSIDE WALL)
GV-01	1	08" UNITED 2010 GATE VALVE WITH HAND WHEEL
GV-02	1	06" UNITED 2010 GATE VALVE WITH HAND WHEEL
	2	06" FLG PACK RED RUBBER GASKET AND ZINC PLATED BOLT PACK
	3	08" FLG PACK RED RUBBER GASKET AND ZINC PLATED BOLT PACK
AH-01	1	HALLIDAY W1S3030 ACCESS HATCH WITH 8.25" SKIRT (CAST-IN)
SD-01	1	M.A. INDUSTRIES SU-125 NON-METALLIC SUMP WITH 2" SCH 80 PVC COUPLING
MS-01	5	M.A. INDUSTRIES PS1-PF MANHOLE STEP
LS-01	2	12"Ø HOLE FOR LINK-SEAL LS-400-S316-9
LS-02	1	10"Ø HOLE FOR LINK-SEAL LS-410-S316-10
	3	CON-SEAL CS-102 JOINT SEALANT (ROLLS)

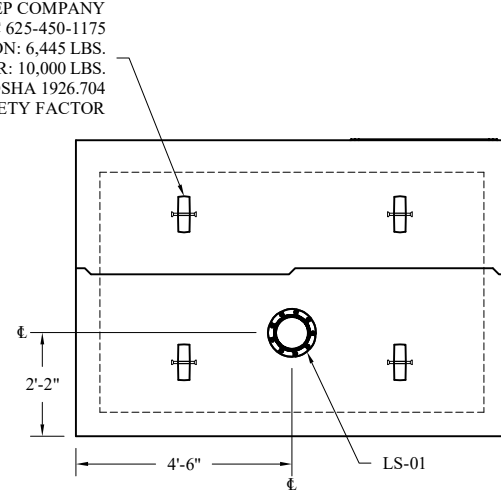
NOTES:
1. SLOPE FLOOR TO DRAIN

VALVE VAULT DETAILS			
DESCRIPTION	UOM	QUANTITY	WEIGHT (LBS)
6'-0" X 8'-0" X 2'-0" I.D. TOP WITH HATCH CAST-IN	EA	1	10,240
6'-0" x 8'-0" X 3'-0" I.D. BASE WITH PVF INCLUDED	EA	1	12,420
TOTAL STRUCTURE			22,660

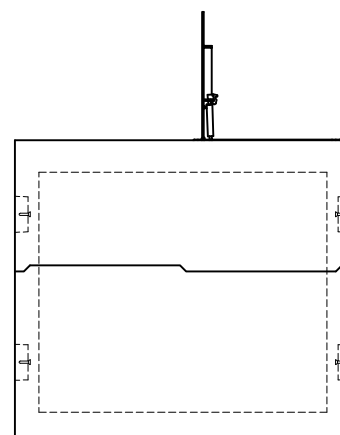
AMERICAN STEP COMPANY
ASC 625-450-1175
SWL TENSION: 6,445 LBS.
SWL AT 90° SHEAR: 10,000 LBS.
SWL COMPLIES WITH OSHA 1926.704
4:1 SAFETY FACTOR



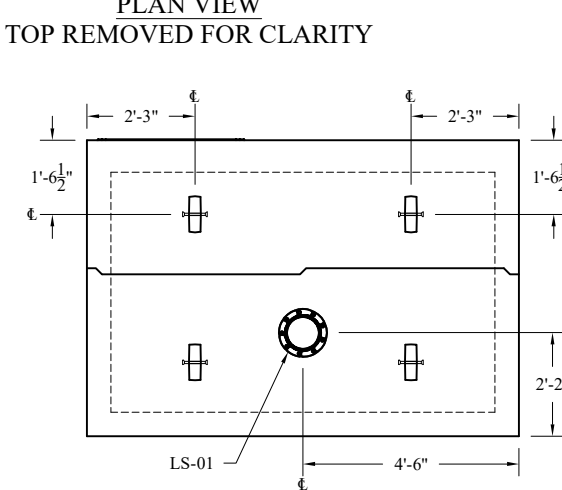
ELEVATION SIDE A



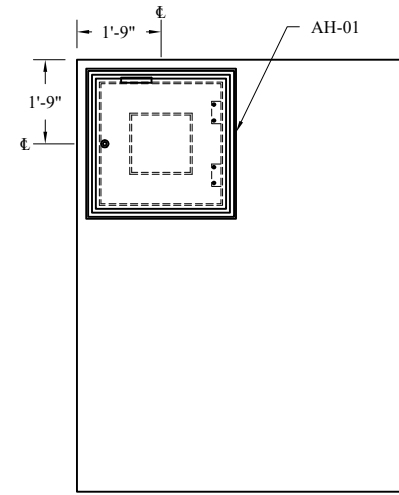
ELEVATION SIDE B



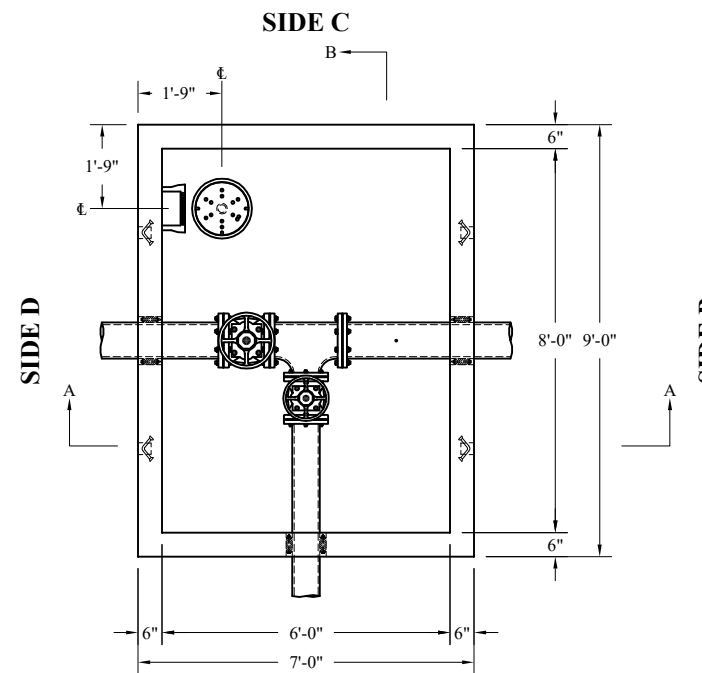
ELEVATION SIDE C



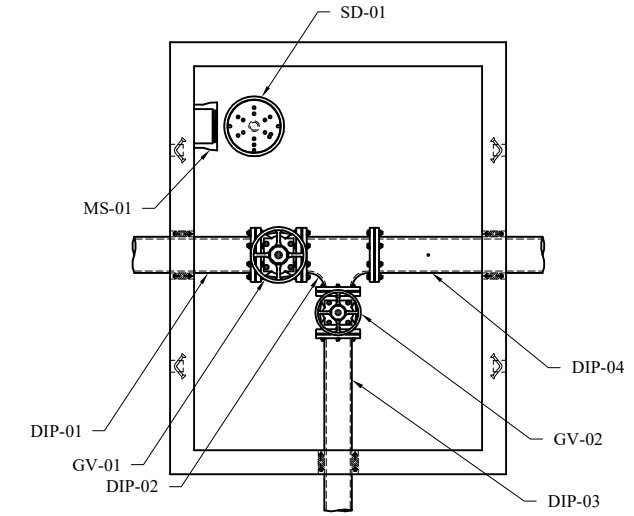
ELEVATION SIDE D



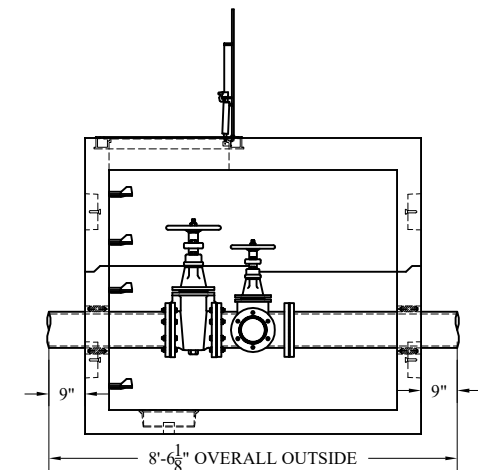
TOP LAYOUT



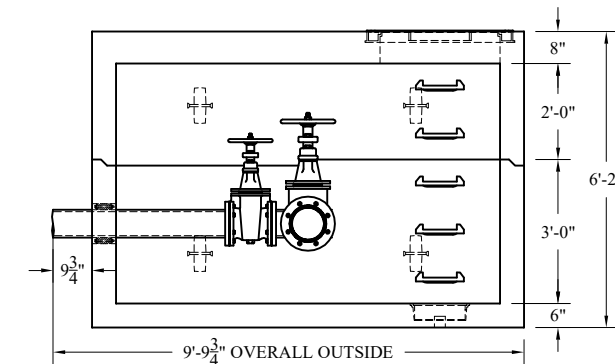
SIDE A
PLAN VIEW
TOP REMOVED FOR CLARITY



PIPING LAYOUT



SECTION A-A



SECTION B-B

NCI
Norwalk Concrete Industries
80 Commerce Drive
Norwalk, Ohio 44857
www.nciprecast.com
Toll Free 800.733.3624
Phone 419.668.8167
Fax 419.663.0627

PRE-ASSEMBLED VALVE VAULT 1
NCI JOB # 181738

REVISIONS:	DWG:	DATE:	SHT. -
	181738-1	06-28-18	OF -
			JDH