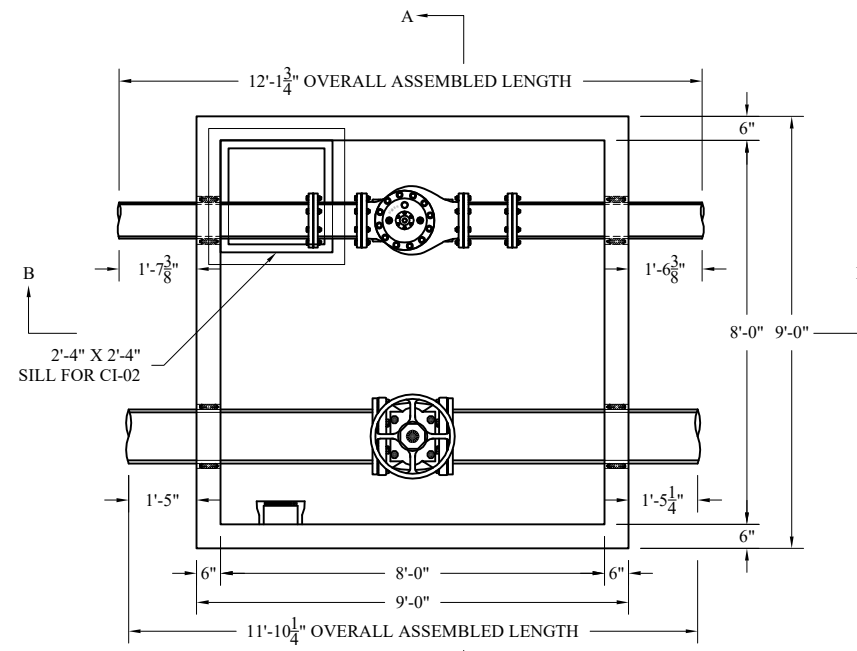
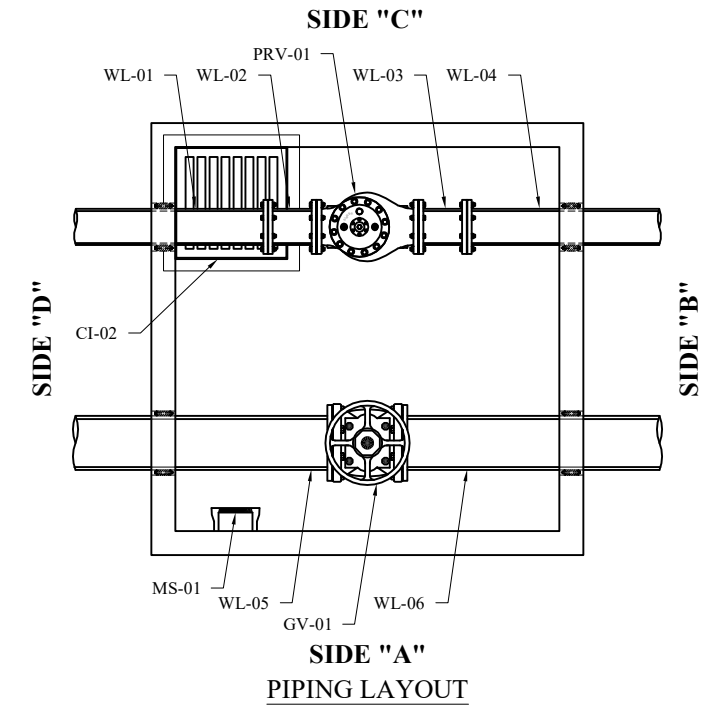


BUILD SHEET

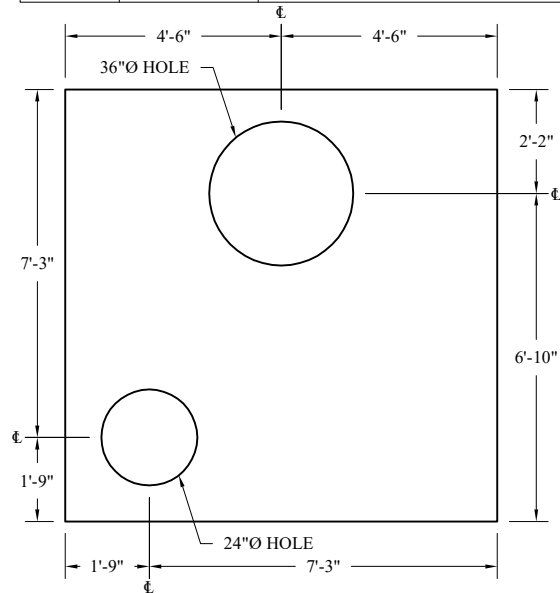
ITEM	QUANTITY	DESCRIPTION
WL-01	1	08" X 4'-0" FLG X PE DIP
WL-02	1	08" X 1'-0" FLG X FLG DIP
WL-03	1	08" X 1'-0" FLG X FLG DIP
WL-04	1	08" X 4'-0" FLG X PE DIP
WL-05	1	12" X 5'-4 $\frac{1}{4}$ " FLG X PE DIP
WL-06	1	12" X 5'-4 $\frac{1}{4}$ " FLG X PE DIP
	4	08" FLG PACK RED RUBBER GASKET AND ZINC PLATED BOLT PACK
	2	12" FLG PACK RED RUBBER GASKET AND ZINC PLATED BOLT PACK
PRV-01	1	08" SINGER 106-PR-X-107 PRESSURE REDUCING VALVE
GV-01	1	12" UNITED 2010 GATE VALVE
CI-01	1	EJ 1661Z1 FRAME AND 1660AGS GASKETED SOLID COVER (SHIPPED LOOSE)
CI-02	1	EJ 1585Z FRAME AND 1585AVH SOLID COVER (SHIPPED LOOSE)
CI-03	1	EJ 5110 M1 GRATE TO BE USED AS SUMP COVER (SHIPPED LOOSE)
MS-01	6	M.A. INDUSTRIES PSI-PF MANHOLE STEP AT 12" O.C.
LS-01	2	12"Ø HOLE FOR LINK-SEAL LS-400-S316-9
LS-02	2	16"Ø HOLE FOR LINK-SEAL LS-360-S316-21
SP-01	1	CHAMPION MODEL CP3SA-12, $\frac{1}{2}$ HP, 1 $\frac{1}{2}$ " DISCHARGE SUBMERSIBLE PUMP (SHIPPED LOOSE, NOT SHOWN)
SP-02	1	1 $\frac{1}{2}$ " SCH 80 PVC MALE ADAPTER, 90 AND 10'-0" LONG STUB OF PIPE (SHIPPED LOOSE, NOT SHOWN)
	5	CON-SEAL CS-102 JOINT SEALANT (ROLLS)



PLAN VIEW
TOP REMOVED FOR CLARITY

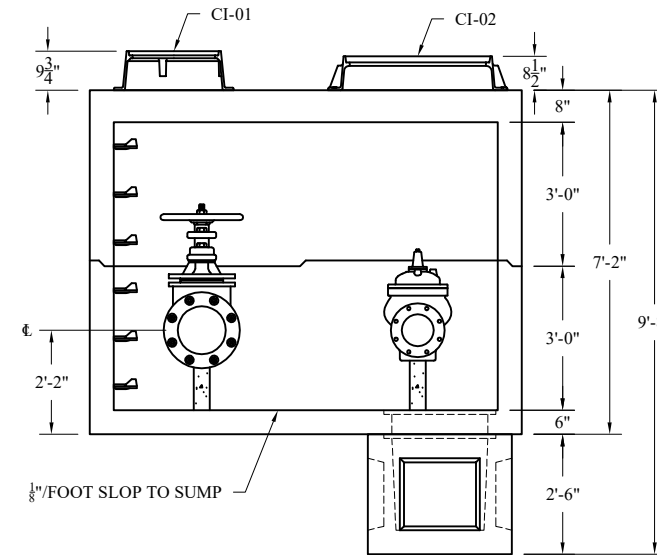


SIDE "A"
PIPING LAYOUT

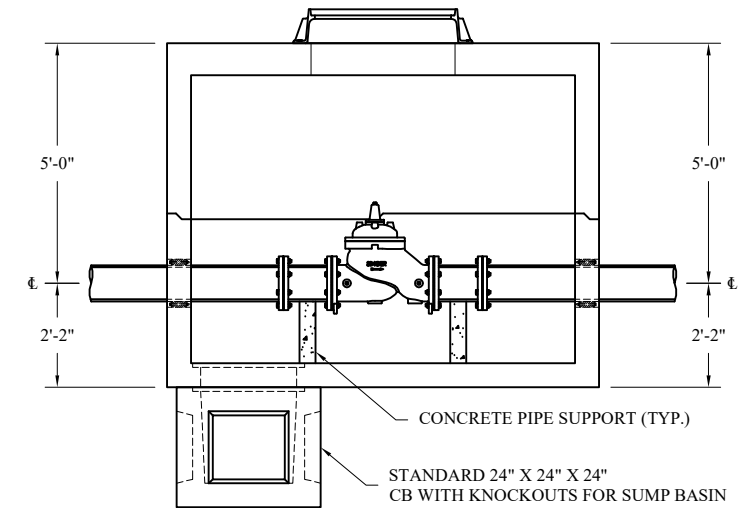


TOP ACCESS HOLE LAYOUT

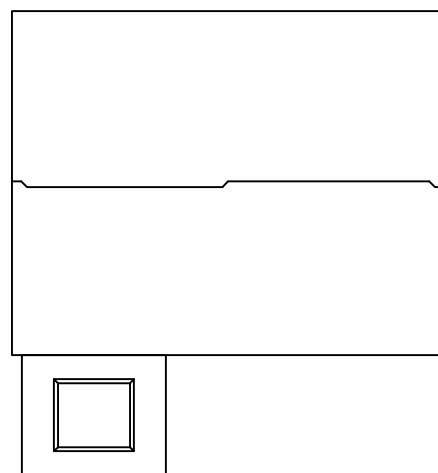
VAULT DETAILS			
DESCRIPTION	UOM	QUANTITY	WEIGHT (LBS)
8'-0" X 8'-0" X 3'-0" I.D. TOP WITH HOLE OPENINGS	EA	1	14,730
8'-0" X 8'-0" X 3'-0" I.D. BASE WITH SUMP HOLE	EA	1	15,465
2' X 2' X 2'-0" I.D. SUMP BASIN	EA	1	1,540
EJ 1585Z FRAME AND 1585AVH SOLID COVER	EA	1	560
EJ 1661Z FRAME AND 1660AGS SOLID COVER	EA	1	275
EJ 5110 M1 GRATE (FOR SUMP BASIN)	EA	1	120
PIPING, VALVES AND FITTINGS (INC. IN BASE)	LOT	1	INC.
TOTAL STRUCTURE			32,690



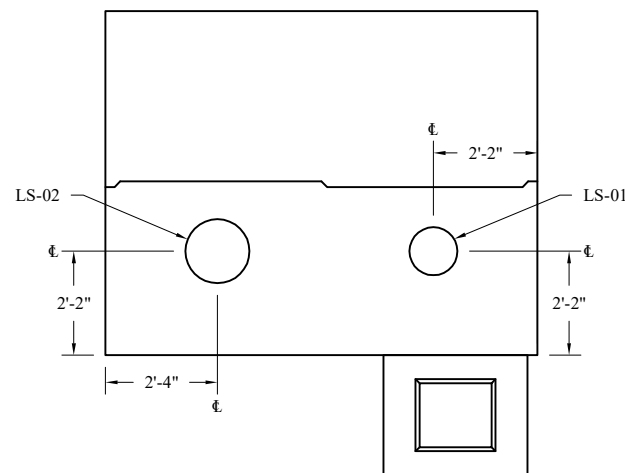
SECTION A-A



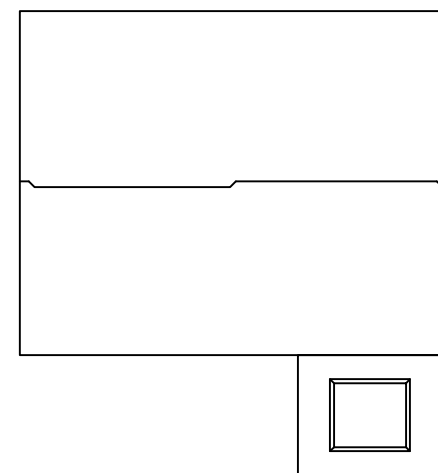
SECTION B-B



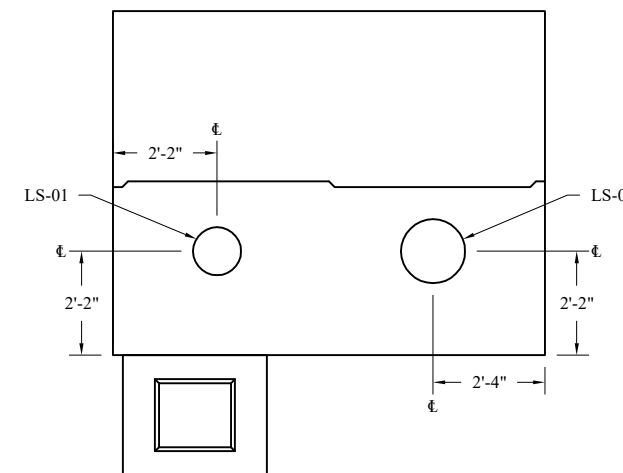
SIDE "A" ELEVATION VIEW



SIDE "B" ELEVATION VIEW



SIDE "C" ELEVATION VIEW



SIDE "D" ELEVATION VIEW

- INSTALLED BY OTHERS:**
1. CAST IRON
 2. SUMP PUMP AND ASSOCIATED PIPING
 3. WIRING OF SUMP PUMP

NCI

Norwalk Concrete Industries
80 Commerce Drive
Norwalk, Ohio 44857
www.nciprecast.com

Toll Free 800.733.3624
Phone 419.668.8167
Fax 419.663.0627

PRV VAULT - WATKINS @ NATIONAL
NCI JOB # 18-2364

REVISIONS:	DWG:	DATE:	SHT. -
11-13-18	182364-2	07-15-18	OF -
			JDH