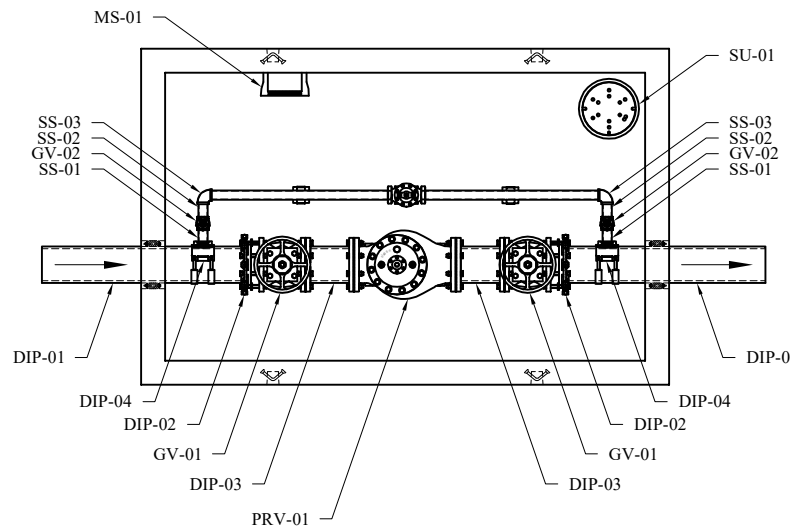


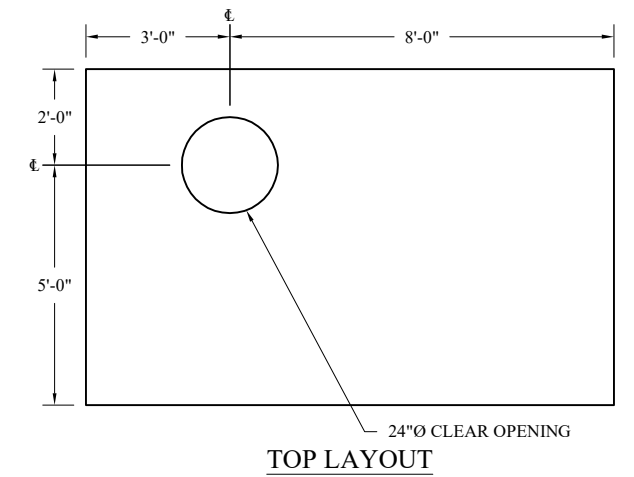
# BUILD SHEET

ITEM	QUANTITY	DESCRIPTION
DIP-01	2	08" X 4'-6" PE X PE DIP WITH 2" NPT T.D.C. 1'-2" FROM F.O.F. (145 LBS)
DIP-02	2	08" EBAA MEGA-FLG 2100 RESTRAINED ADAPTER WITH WEDGE RESTRAINT (40 LBS)
DIP-03	2	08" X 1'-0" FLG X FLG DIP (90 LBS)
DIP-04	2	08" SMITH-BLAIR 317 STAINLESS STEEL SERVICE SADDLE WITH 2" NPT (10 LBS)
SS-01	2	02" X 0'-4" TYPE 304 STAINLESS STEEL PIPE (1.5 LBS)
SS-02	2	02" TYPE 304 STAINLESS STEEL 90 ELBOW (2.5 LBS)
SS-03	2	02" X 3'-8 $\frac{1}{2}$ " TYPE 304 STAINLESS STEEL PIPE (15 LBS)
PRV-01	1	08" SINGER FLG PRESSURE REDUCING VALVE (650 LBS)
PRV-02	1	02" SINGER NPT PRESSURE REDUCING VALVE (45 LBS)
GV-01	2	08" KENNEDY C515 FLG GATE VALVE (255 LBS)
GV-02	2	02" SHARPE SV30276TE020 STAINLESS STEEL GATE VALVE (8 LBS)
	4	08" FLG PACK RED RUBBER GASKET AND STAINLESS STEEL BOLT PACK (8 LBS)
SU-01	1	M.A. INDUSTRIES SU-125 SUMP DRAIN
CI-01	1	EJ 1710Z1 FRAME (SHIPPED LOOSE FOR INSTALLATION BY OTHERS)
CI-02	1	EJ 1710A "WATER" COVER (SHIPPED LOOSE FOR INSTALLATION BY OTHERS)
MS-01	6	M.A. INDUSTRIES PS1-PF MANHOLE STEP
LS-01	2	12"Ø HOLE FOR LINK-SEAL LS-400-S316-9
	3	CON-SEAL CS-102 JOINT SEALANT (ROLLS)

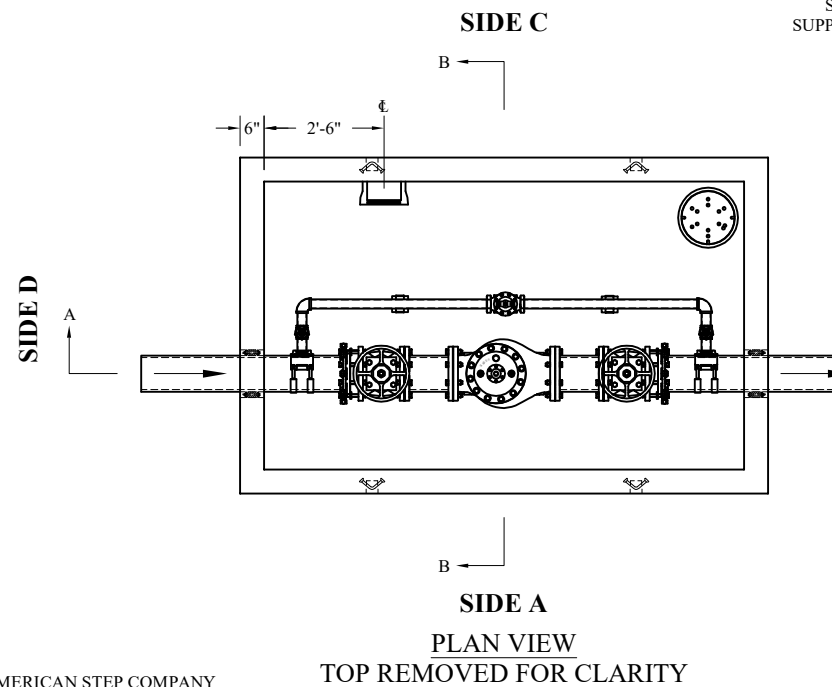
VALVE VAULT DETAILS			
DESCRIPTION	UOM	QUANTITY	WEIGHT (LBS)
6'-0" X 10'-0" X 3'-0" I.D. TOP	EA	1	15,040
6'-0" X 10'-0" X 3'-0" I.D. BASE	EA	1	15,175
PIPING, VALVES AND FITTINGS	LOT	1	INC. IN BASE
EJ 1710Z1 FRAME AND 1710A "WATER" COVER	EA	1	365
<b>TOTAL STRUCTURE</b>			<b>30,580</b>



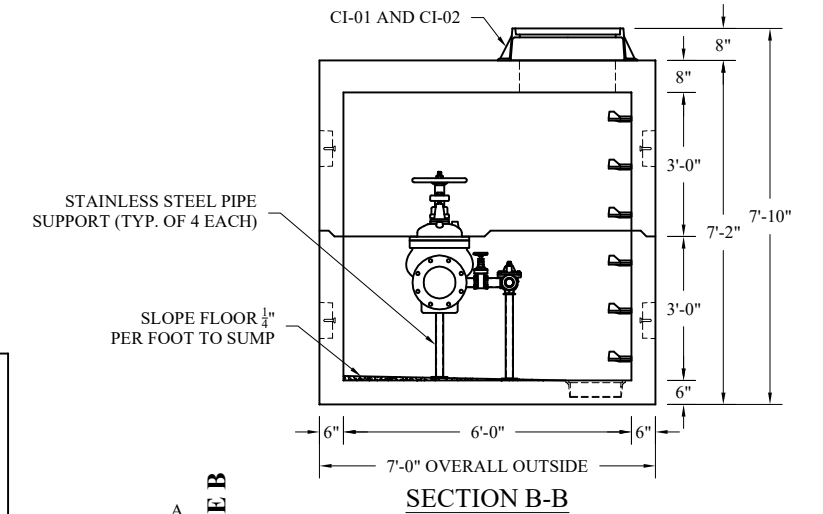
BUILD LAYOUT



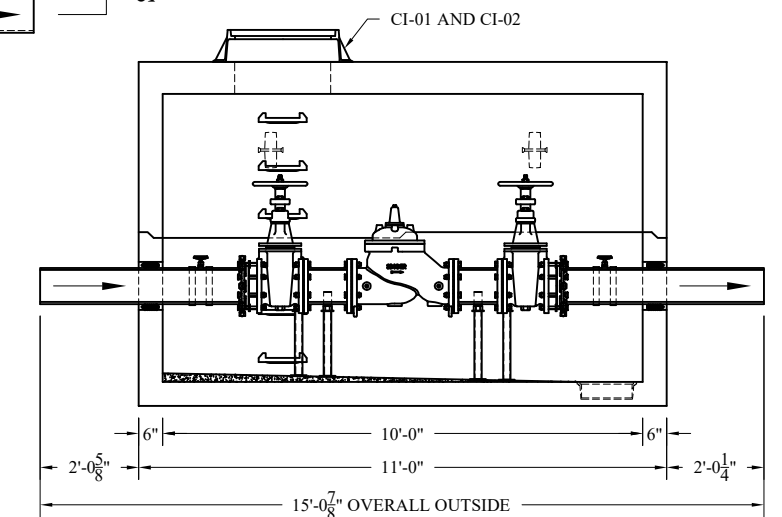
TOP LAYOUT



SIDE A  
PLAN VIEW  
TOP REMOVED FOR CLARITY

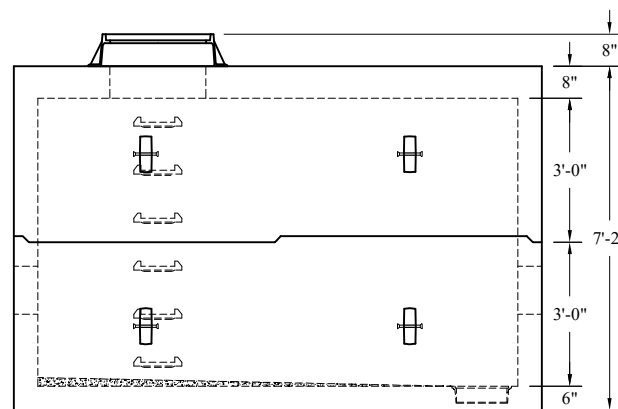


SECTION B-B

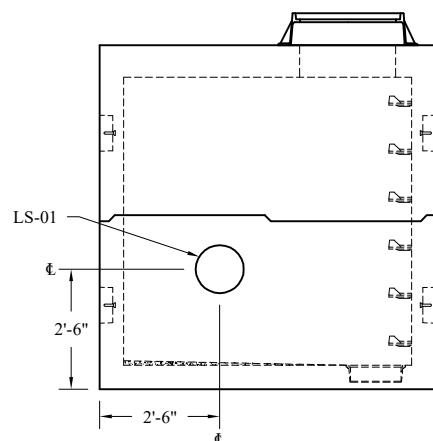


SECTION A-A

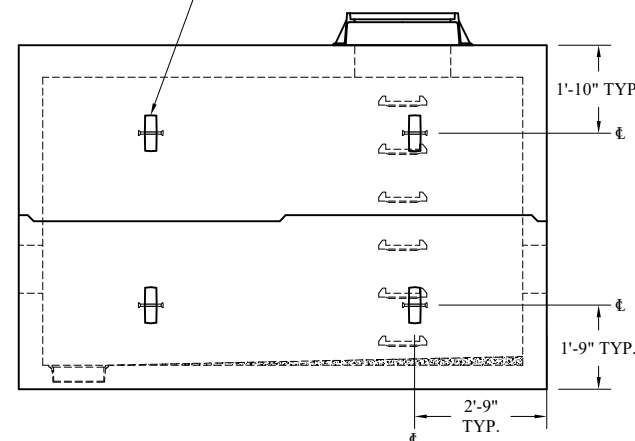
AMERICAN STEP COMPANY  
ASC 625-450-1175  
SWL TENSION: 6,445 LBS.  
SWL AT 90° SHEAR: 10,000 LBS.  
SWL COMPLIES WITH OSHA 1926.704  
4:1 SAFETY FACTOR



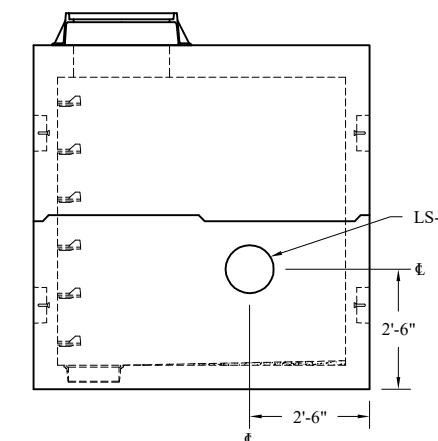
ELEVATION SIDE A



ELEVATION SIDE B



ELEVATION SIDE C



ELEVATION SIDE D

**NCI**  
Norwalk Concrete Industries  
80 Commerce Drive  
Norwalk, Ohio 44857  
www.nciprecast.com  
Toll Free 800.733.3624  
Phone 419.668.8167  
Fax 419.663.0627

NCI JOB # 18-4881

REVISIONS:	DWG:	DATE:	SHT. - 1
03-28-19	184881-1	02-26-19	OF - 1 JDH