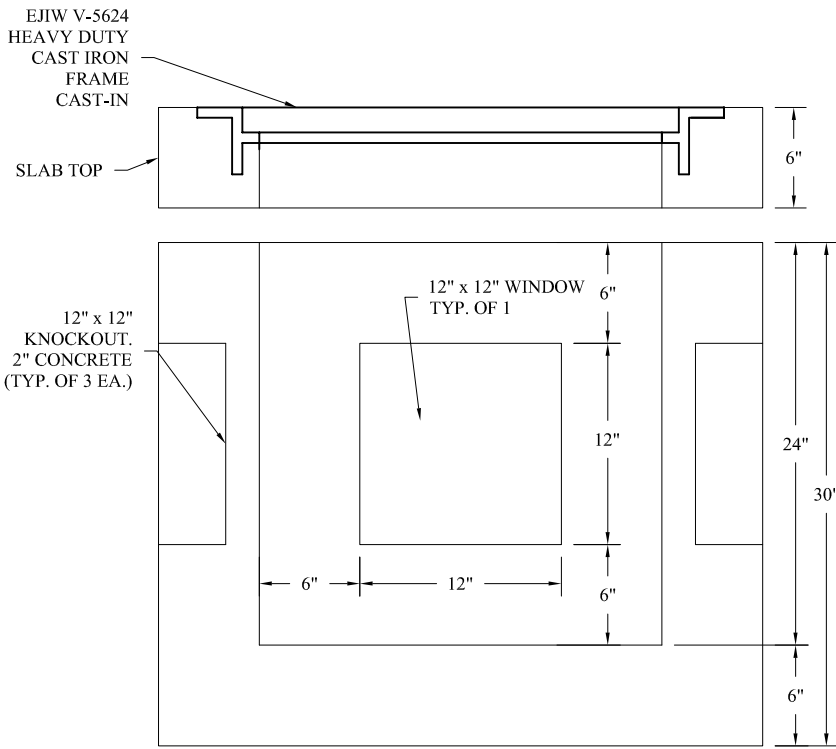
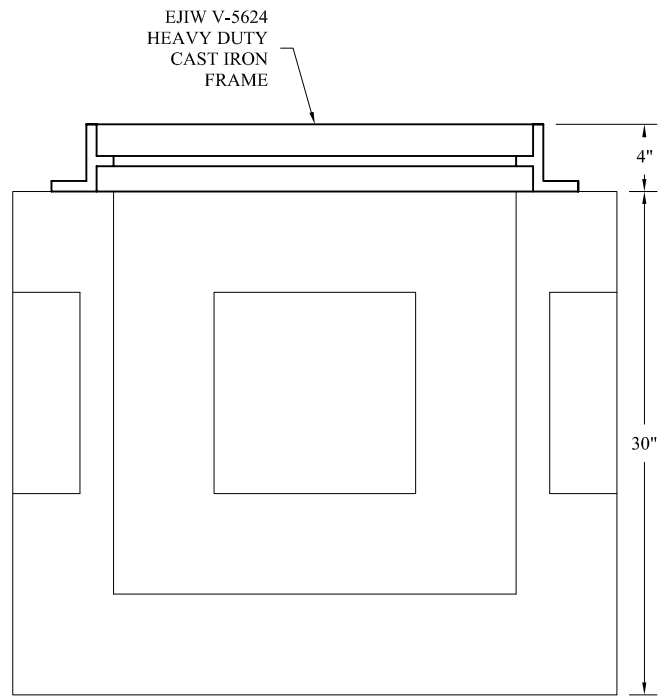


PLAN VIEW



SECTION A-A
OPTION A



SECTION A-A
OPTION B

NOTES:

1. CONCRETE: 5,000 PSI @ 28 DAYS.
2. AIR 6%±2%.
3. REINFORCING: ASTM A-615 GRADE 60.
4. BASE WEIGHT: 2,100 LBS. TOP WEIGHT: 630 LBS.

NCI
 Norwalk Concrete Industries
 80 Commerce Drive
 Norwalk, Ohio 44857
 www.nciprecast.com
 Toll Free 800.733.3624
 Phone 419.668.8167
 Fax 419.663.0627

24" x 24" x 24" I.D.
 TRAFFIC BEARING PULLBOX

REVISIONS:	DWG:	DATE:	SHT. -
----	PB-0036-16	04-04-16	OF -
			KNR