

GENERAL NOTES:

1. PULLBOXES SHALL CONFORM WITH 625.11 AND 725.08 - ODOT SPECIFICATIONS. AGGREGATE USED FOR PULLBOXES SHALL BE NO. 7 OR 8, AT LEAST 6 INCH DEEP.
2. EJIW 8054 CAST IRON FRAME AND COVER, LETTERED AS REQUIRED, SHALL BE CAST-IN.
3. TAPERED THICKNESS CONCRETE PULLBOX WALLS MAY BE USED; HOWEVER, MINIMUM WALL THICKNESS SHALL BE AS INDICATED.
4. LIFTING RINGS OR WIRE PULLING RINGS MAY BE INCORPORATED INTO PRECAST CONCRETE PULLBOX WALLS.
5. PRECAST PULLBOXES MAY HAVE BLOCKED OUT SECTIONS OF THE WALL AS KNOCKOUTS IN THE QUANTITY OF ONE PER WALL.
6. UNUSED OPENING AREAS SURROUNDING CONDUITS SHALL BE BLOCKED AFTER CONDUIT INSTALLATION.
7. PULLBOX DRAINS IN ACCORDANCE WITH 605 SHALL BE INSTALLED WHEN SPECIFIED OR AS DIRECTED BY THE ENGINEER. ALTERNATE DRAIN LOCATION MAY BE USED WHEN NORMAL RUN WOULD EXCEED 20 FEET.
8. AGGREGATE USED FOR PULLBOXES SHALL BE NO. 7 OR 8, AT LEAST 6 INCHES DEEP.

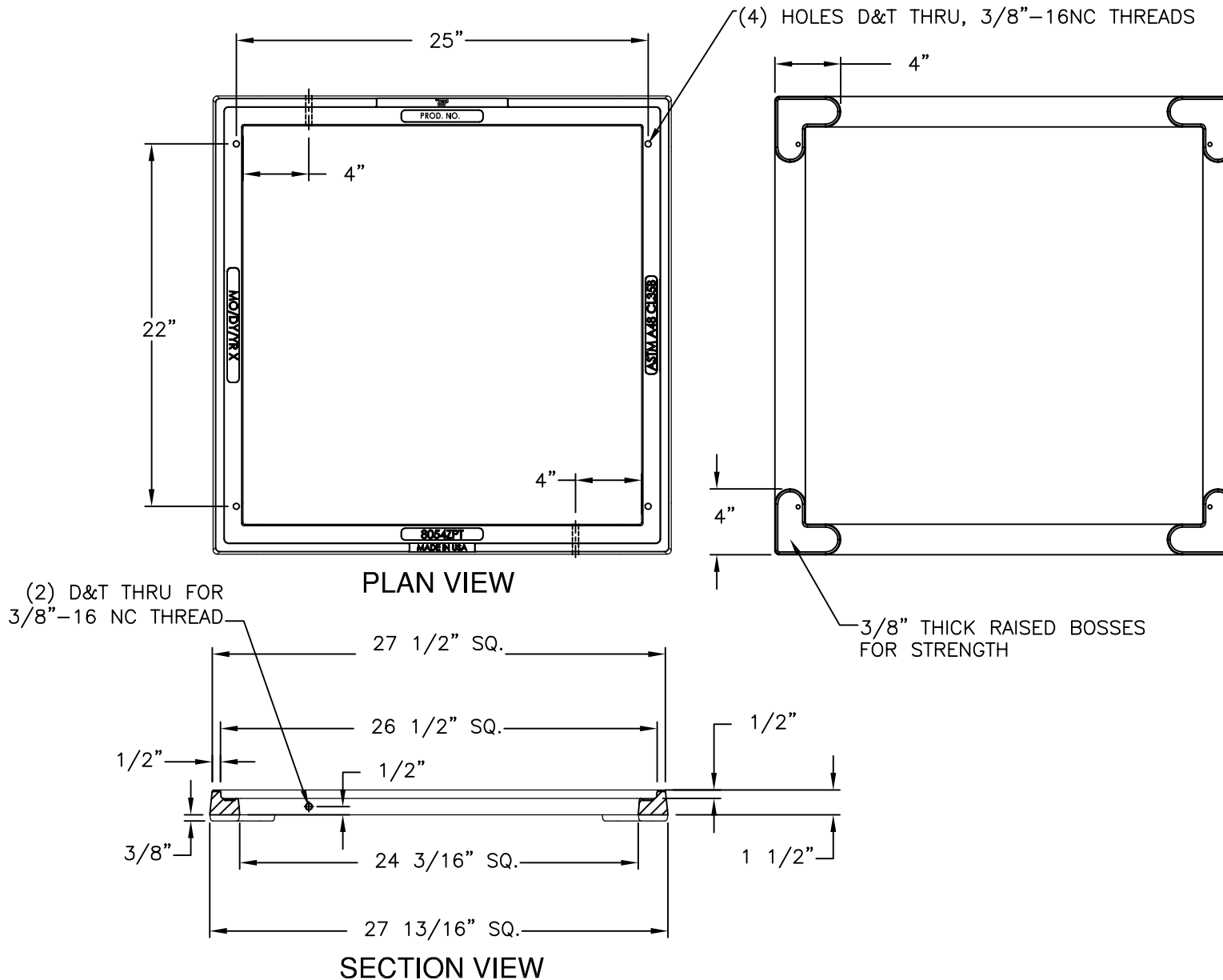
NCI
Norwalk Concrete Industries
80 Commerce Drive
Norwalk, Ohio 44857
www.nciprecast.com

Toll Free 800.733.3624
Phone 419.668.8167
Fax 419.663.0627

24" PULLBOX PER
ODOT SPECIFICATION HL30.11
W/EJIW 8054 FRAME & COVER

REVISIONS:	DWG:	DATE:	SHT. -
02.15.16 JRB	PB-0019-07	04.30.07	OF -
			SWS

8054ZPT Junction Box / Handhole Frame



Product Number

00805412

Design Features

- Materials
Gray Iron (CL35B)
- Design Load
Non-Traffic
- Open Area
n/a
- Coating
Dipped
- √ Designates Machined Surface

Certification

- ASTM A48
-
-
- Country of Origin: USA

Drawing Revision

02/09/2010 Designer: SBB
11/20/2015 Revised By: DAE

Disclaimer

Weights (lbs./kg) dimensions (inches/mm) and drawings provided for your guidance. We reserve the right to modify specifications without prior notice.

CONFIDENTIAL: This drawing is the property of EJ GROUP, Inc., and embodies confidential information, registered marks, patents, trade secret information, and/or know how that is the property of EJ GROUP, Inc. Copyright © 2015 EJ GROUP, Inc. All rights reserved.

Contact

800 626 4653
ejco.com

PRODUCT NUMBER

00805422

CATALOG NUMBER

8054 CPT

24" PULL BOX

LOAD RATING

NON-TRAFFIC

COATING

DIPPED

ESTIMATED WEIGHT

COVER: 86 LBS

MATERIAL SPECIFICATION

COVER - GRAY IRON
ASTM A48 CL35B

OPEN AREA

N/A

✓ DESIGNATES MACHINED SURFACE

DRAWN

TCL

DATE

06/09/06

LAST REVISED

KH

DATE

09/26/07

REFERENCE INFORMATION

00805420.1C

00805420.1D

