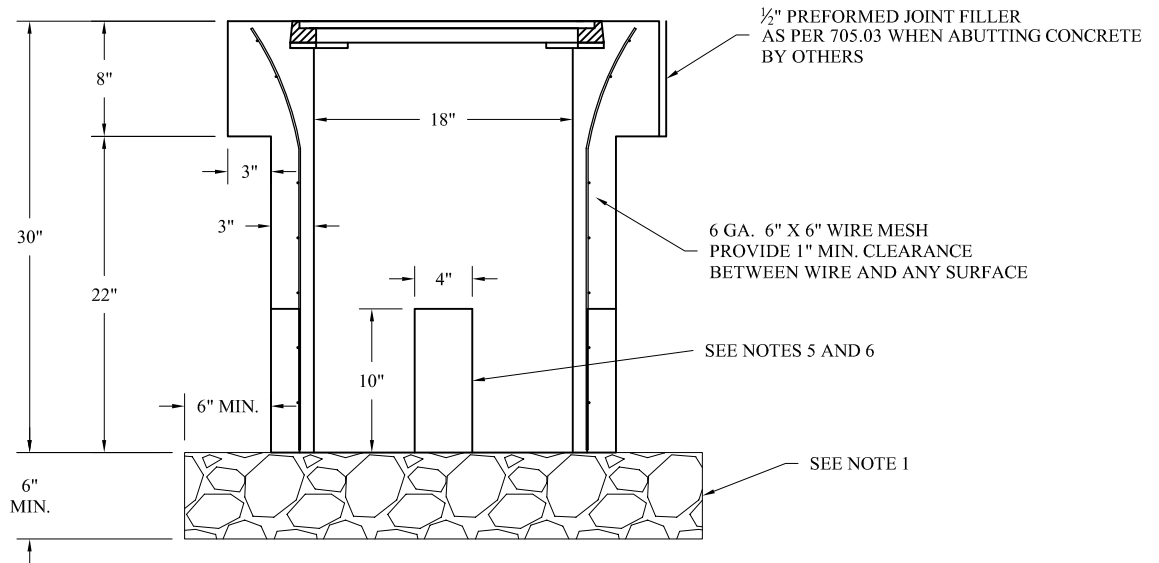


PLAN VIEW



SECTION A-A

NOTES:

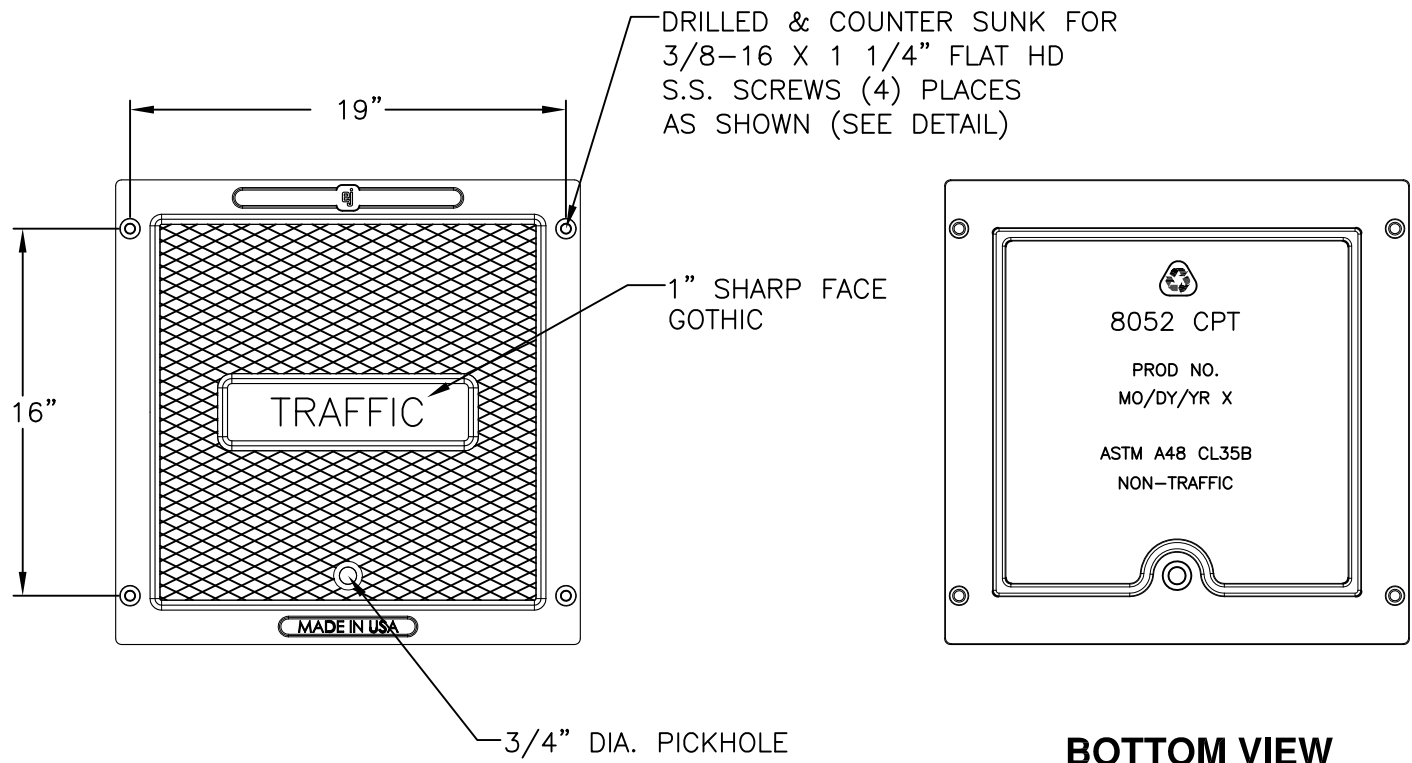
1. PULLBOXES SHALL CONFORM WITH 625.11 AND 725.08 - ODOT SPECIFICATIONS.
AGGREGATE USED FOR PULLBOXES SHALL BE NO. 7 OR 8, AT LEAST 6 INCH DEEP.
2. EJIW 8052 CAST IRON FRAME AND COVER, LETTERED AS REFERENCED, SHALL BE CAST-IN.
3. TAPERED THICKNESS CONCRETE PULLBOX WALLS MAY BE USED; HOWEVER, MINIMUM WALL THICKNESS SHALL BE AS INDICATED.
4. LIFTING RINGS OR WIRE PULLING RINGS MAY BE INCORPORATED INTO PRECAST CONCRETE PULLBOX WALLS.
5. PRECAST PULLBOXES MAY HAVE BLOCKED OUT SECTIONS OF THE WALL AS KNOCKOUTS IN THE QUANTITY OF ONE PER WALL.
6. UNUSED OPENING AREAS SURROUNDING CONDUITS SHALL BE BLOCKED AFTER CONDUIT INSTALLATION.
7. PULLBOX DRAINS IN ACCORDANCE WITH 605 SHALL BE INSTALLED WHEN SPECIFIED OR AS DIRECTED BY THE ENGINEER. ALTERNATE DRAIN LOCATION MAY BE USED WHEN NORMAL RUN WOULD EXCEED 20 FEET.

NCI
 Norwalk Concrete Industries
 80 Commerce Drive
 Norwalk, Ohio 44857
 www.nciprecast.com
 Toll Free 800.733.3624
 Phone 419.668.8167
 Fax 419.663.0627

18" PULLBOX PER
 ODOT SPECIFICATION HL30.11
 W/EJIW 8052 FRAME & COVER

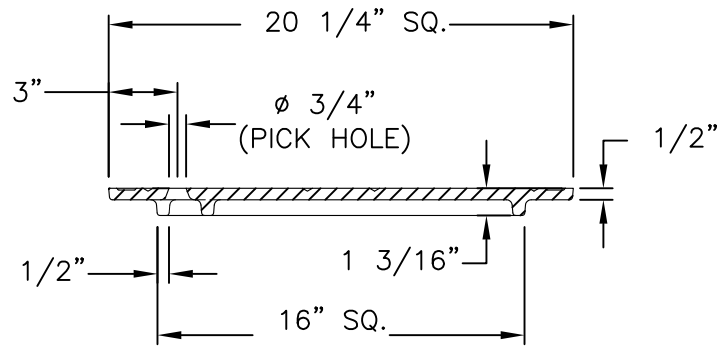
REVISIONS:	DWG:	DATE:	SHT. -
02-15-16 JRB	PB-0016-07	04-30-07	OF -
			KNR

8052 CPT Junction Box / Handhole Cover

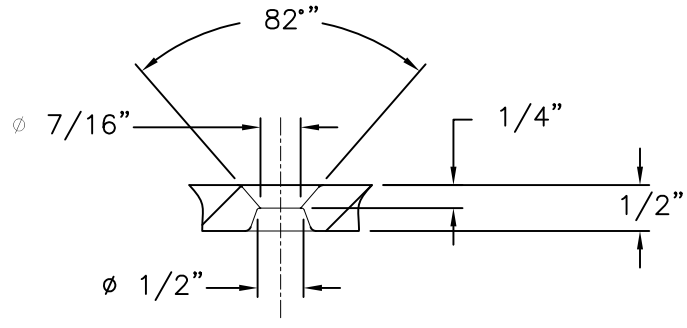


PLAN VIEW

BOTTOM VIEW



SECTION VIEW



**COUNTERSINK
DETAIL**

Product Number
00805226

Design Features

- Materials
Gray Iron (CL35B)
- Design Load
Non-Traffic
- Open Area
n/a
- Coating
Dipped
- √ Designates Machined Surface

Certification

- ASTM A48
-
-
- Country of Origin: USA

Drawing Revision

06/09/2006 Designer: SMH
11/04/2015 Revised By: DAE

Disclaimer

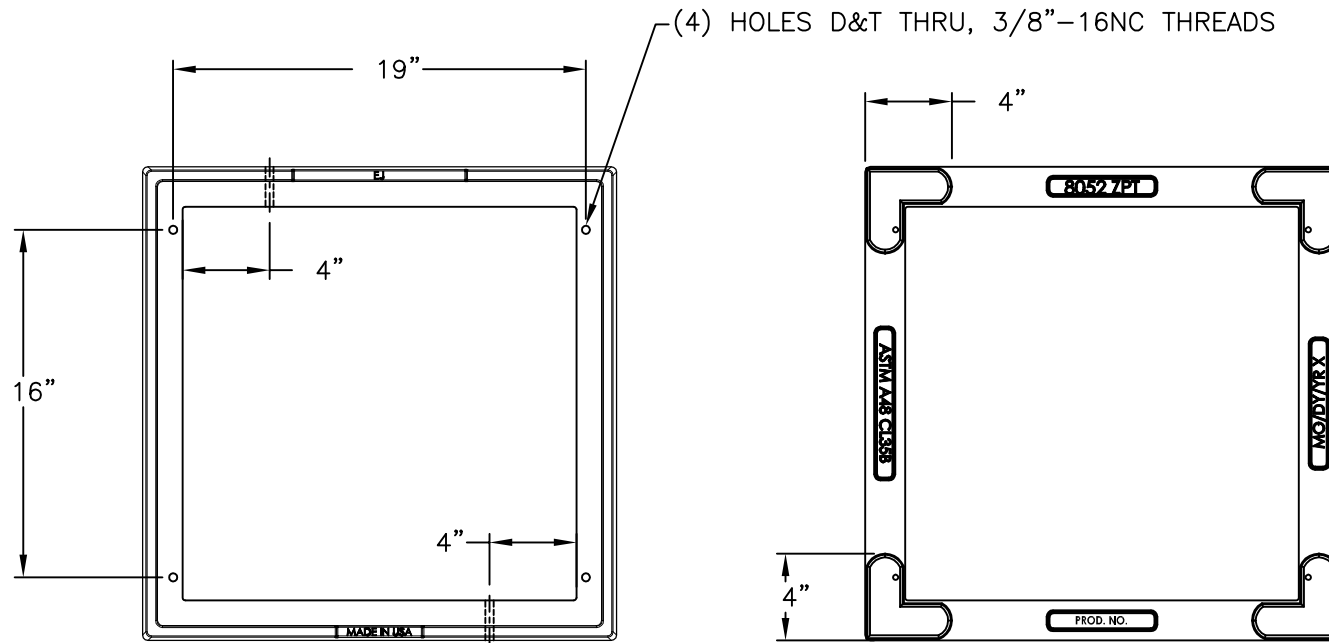
Weights (lbs./kg) dimensions (inches/mm) and drawings provided for your guidance. We reserve the right to modify specifications without prior notice.

CONFIDENTIAL: This drawing is the property of EJ GROUP, Inc., and embodies confidential information, registered marks, patents, trade secret information, and/or know how that is the property of EJ GROUP, Inc. Copyright © 2015 EJ GROUP, Inc. All rights reserved.

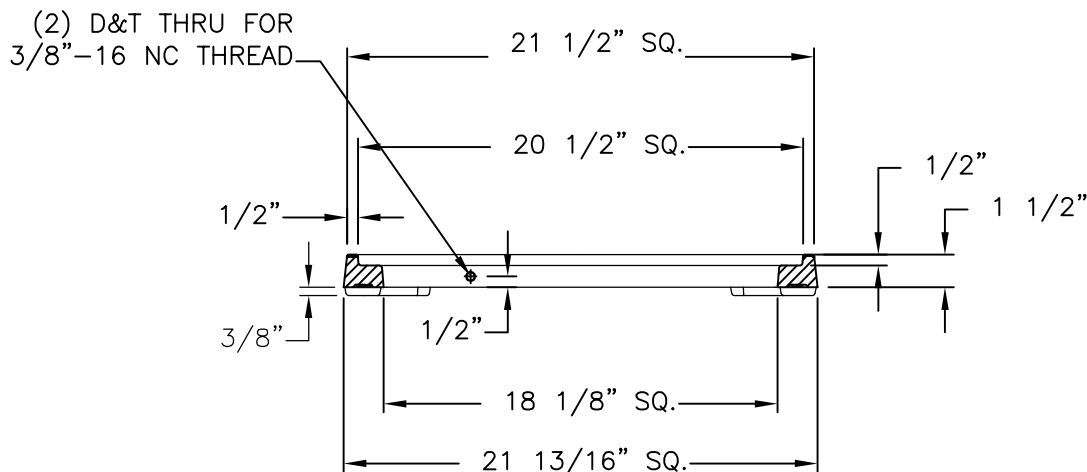
Contact

800 626 4653
ejco.com

8052ZPT Junction Box / Handhole Frame



PLAN VIEW



SECTION VIEW

Product Number

00805212

Design Features

- Materials
Gray Iron (CL35B)
- Design Load
Light Duty
- Open Area
n/a
- Coating
Dipped
- √ Designates Machined Surface

Certification

- ASTM A48
-
-
- Country of Origin: USA

Drawing Revision

02/09/2010 Designer: SBB
10/13/2015 Revised By: DAE

Disclaimer

Weights (lbs./kg) dimensions (inches/mm) and drawings provided for your guidance. We reserve the right to modify specifications without prior notice.

CONFIDENTIAL: This drawing is the property of EJ GROUP, Inc., and embodies confidential information, registered marks, patents, trade secret information, and/or know how that is the property of EJ GROUP, Inc. Copyright © 2015 EJ GROUP, Inc. All rights reserved.

Contact

800 626 4653
ejco.com