

# ROUND MANHOLE WORKSHEET

JOB NAME: \_\_\_\_\_

STATION NUMBER: \_\_\_\_\_

CAST IRON: \_\_\_\_\_

MANHOLE SIZE (CIRCLE ONE):            48"Ø                            60"Ø                            72"Ø

TOP OF CASTING: \_\_\_\_\_

AMOUNT OF TOP ADJUSTMENT: \_\_\_\_\_  
 (TOP ADJUSTMENT INCLUDES: CAST IRON HEIGHT + AMOUNT OF OF FIELD ADJUSTMENT)

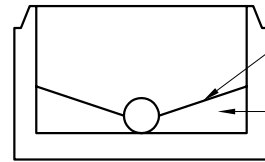
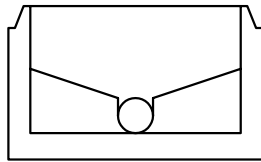
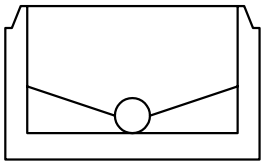
PIPE	INVERT ELEVATION	ANGLE	PIPE TYPE	PIPE SIZE	PIPE O.D.
1	_____	_____	_____	_____	_____
2	_____	_____	_____	_____	_____
3	_____	_____	_____	_____	_____
4	_____	_____	_____	_____	_____
5	_____	_____	_____	_____	_____
6	_____	_____	_____	_____	_____

PLEASE INDICATE INVERT TYPE (SANITARY ONLY)

BOOTS

YES

NO



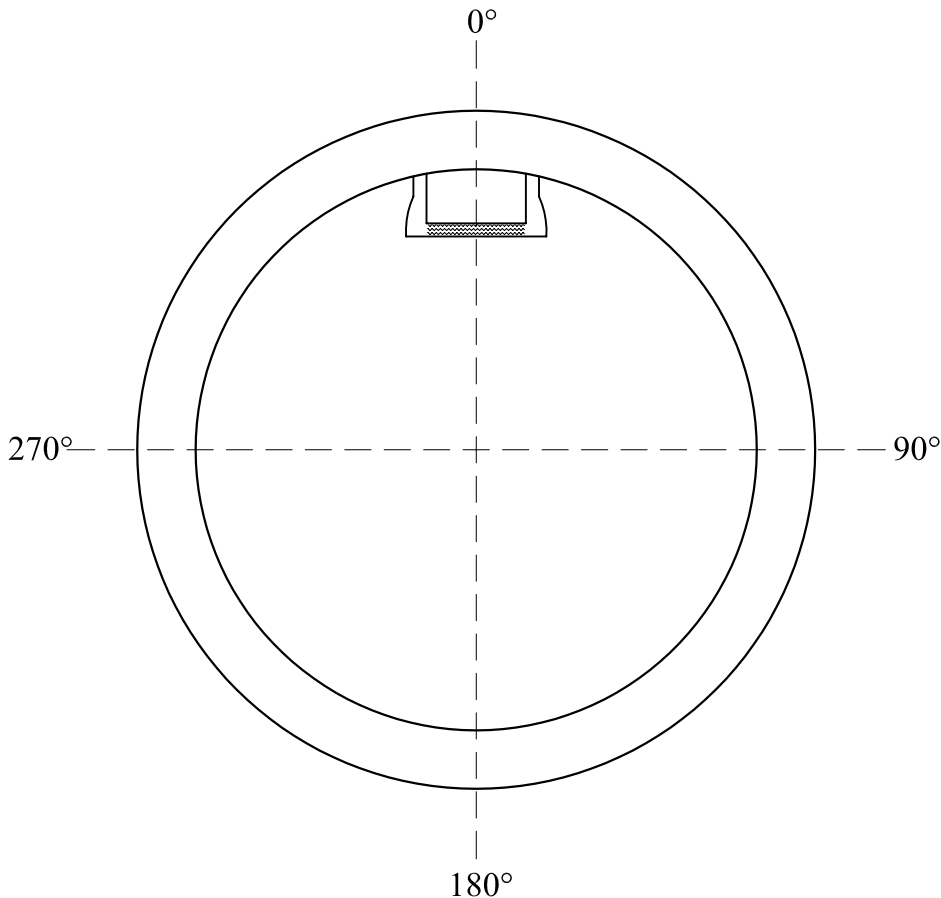
SLOPE

INVERT TYPE

1/2 INVERT WITH 4:1 SLOPE

FULL INVERT WITH 4:1 SLOPE

MISC. (PLEASE FILL IN BLANKS)



PLEASE FAX ANY SPECS AVAILABLE FROM PLANS, COUNTY, ETC. SO THAT MANHOLE MAY BE QUOTED AND BUILT AS REQUIRED.