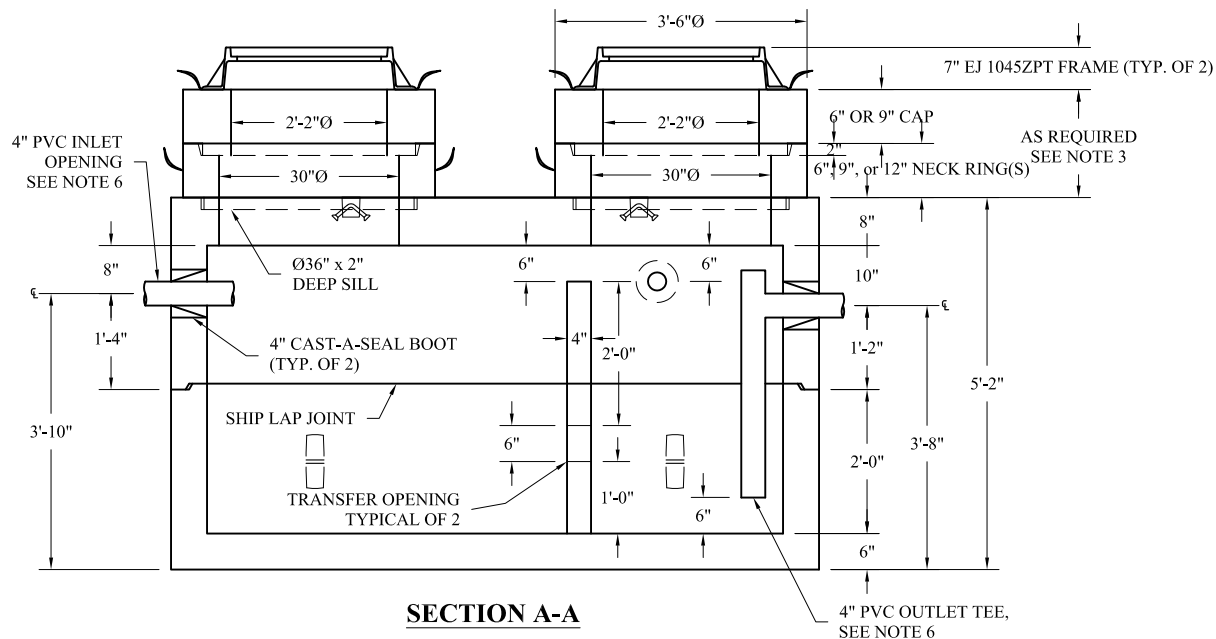


PLAN VIEW



SECTION A-A

NOTES:

1. CONCRETE = 5000 LBS. @ 28 DAYS
2. REINFORCING = ASTM A615 GRADE 60. PLEASE SEE ATTACHED 6' x 8' ID HS-20 LOAD-RATED DESIGN CALCULATIONS FOR REINFORCING SCHEDULE.
3. 30"Ø I.D. INTERLOCKING NECK/CAP RING SYSTEM - PLEASE PROVIDE HEIGHT REQUIRED TO MEET GRADE. A 6" OR 9" TALL REDUCER CAP RING IS REQUIRED.
4. OHIO PLUMBING CODE REQUIREMENT: ANY TANK OVER 96" IN LENGTH TO HAVE (2) TOP OPENINGS.
5. THESE KITCHEN GREASE INTERCEPTORS ARE FOR TRAFFIC BEARING LOADING
6. NCI CAN INSTALL INLET AND OUTLET WALL COUPLINGS IF REQUESTED. PVC OUTLET TEE'S AVAILABLE ON REQUEST.
7. WEIGHT OF TANK =
 - BASE SECTION W/ BAFFLE = 10,215 LB
 - TOP SECTION = 9,820 LB
8. USES 6x8 MOLD
9. TANK REQUIRES CONSEAL CS-440 SEALANT. RISER REQUIRES CONSEAL CS-102 SEALANT.
10. LIFTERS: FOUR (4) EACH AMERICAN STEP CO. EPOXY-COATED UTILITY ANCHORS (ITEM NO. 625-450-1175) CAST INTO BOTH THE BASE SECTION EXTERNAL SIDEWALLS AND THE TOP SECTION TOP SLAB.

NCI
 Norwalk Concrete Industries
 80 Commerce Drive
 Norwalk, Ohio 44857
 www.nciprecast.com

Toll Free 800.733.3624
 Phone 419.668.8167
 Fax 419.663.0627

CUSTOMER NAME _____
 PROJECT NAME _____
 1000 GALLON TRAFFIC
 BEARING KITCHEN GREASE
 INTERCEPTOR WITH 4" PVC PIPING
 NCI JOB # _____

REVISIONS:	DWG. NO.	DATE	SHT. 1
01.11.19	I-0006-19	05.28.09	OF 1
			BEB