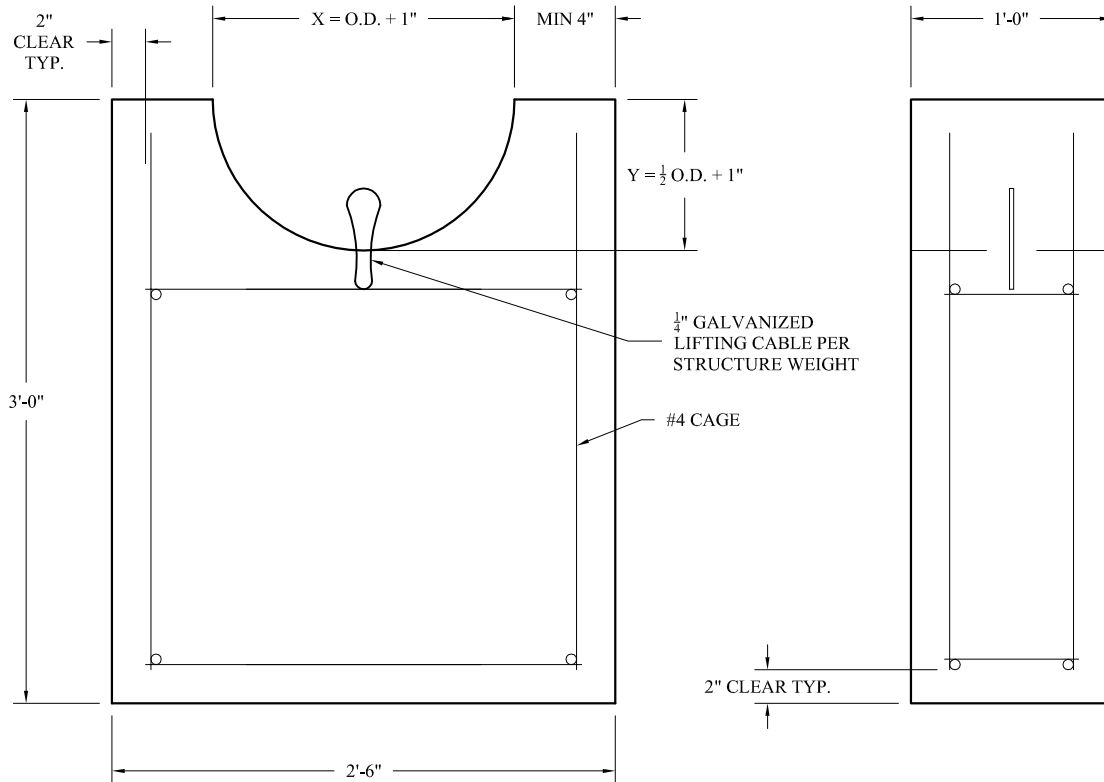


PLAN

STATION	PIPE TYPE	PIPE O.D.	SADDLE WIDTH - X	SADDLE DEPTH - Y



FRONT ELEVATION

SIDE ELEVATION

GENERAL NOTES:

1. CONCRETE: 5,000 PSI @ 28 DAYS.
2. AIR: 6% ± 2%.
3. REINFORCING: ASTM A-615 GRADE 60 EPOXY COATED PER ITEM 602/709.
4. HEADWALLS WILL BE MARKED WITH THE APPROPRIATE CONDUIT SIZE AND TYPE.
5. LIFTING DEVICES = POCKETED 1/4" GALVANIZED LIFTING CABLE PER STRUCTURE WEIGHT.
6. LIFTING DEVICE LOCATION AND PIPE BEDDING TO BE FILLED WITH NON-SHRINK GROUT (BY OTHERS).
7. WEIGHT = 875 LBS.

NCI
 Norwalk Concrete Industries
 80 Commerce Drive
 Norwalk, Ohio 44857
 www.nciprecast.com

Toll Free 800.733.3624
 Phone 419.668.8167
 Fax 419.663.0627

ODOT HW-2.2
 FOR 12" CONCRETE PIPE

REVISIONS:	DWG. NO.	DATE	SHT. -
07.03.08	HW-0008-07	09.19.07	OF -
			SJJ