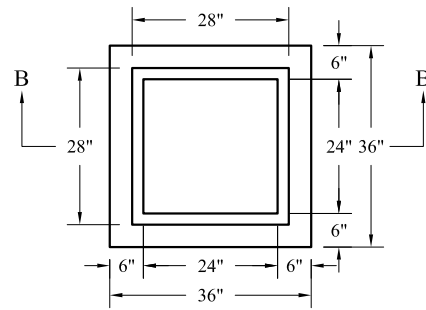
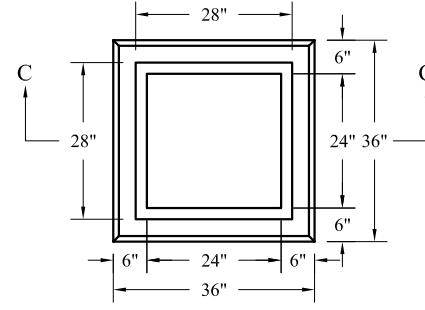


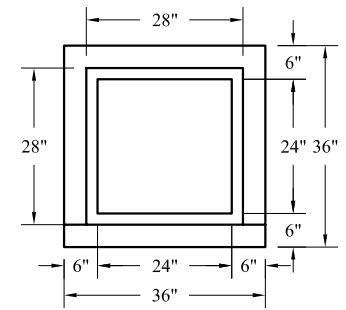
CATCH BASIN PLAN VIEW



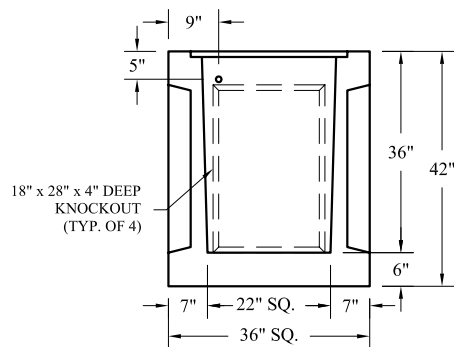
INTERLOCKING RISER PLAN VIEW



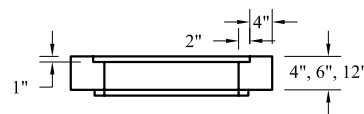
TOP PLAN



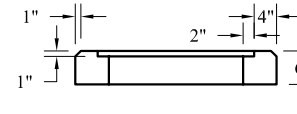
SLANT TOP PLAN VIEW



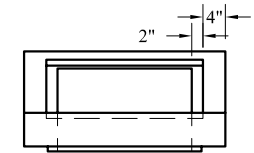
SECTION A-A



SECTION B-B

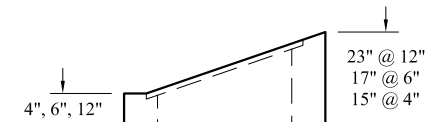


SECTION C-C

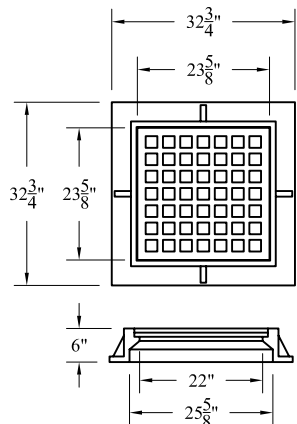


SLANT TOP FRONT VIEW

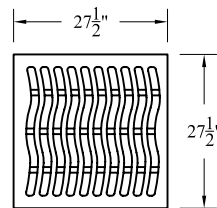
PIECE PART	HEIGHT	WEIGHT
CATCH BASIN	36"	2,300 LBS.
INTERLOCKING RISERS	4"	250 LBS.
	6"	375 LBS.
	12"	750 LBS.
TOP	6"	375 LBS.
SLANT TOPS	4" @ 15"	560 LBS.
	6" @ 17"	685 LBS.
	12" @ 23"	1,060 LBS.



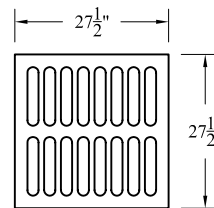
SLANT TOP SIDE VIEW



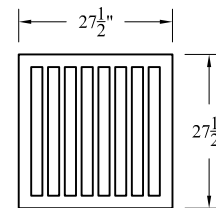
EJIW 5250 FRAME AND GRATE  
(FRAME = 165 LBS., GRATE = 162 LBS.)



EJIW 5110 M-3 GRATE  
1" THICK (165 LBS.)



EJIW 5110 M-2 GRATE  
1" THICK (144 LBS.)



EJIW 5110 M-1 GRATE  
1" THICK (120 LBS.)

CAST IRON OPTIONS

**NCI**  
Norwalk Concrete Industries  
80 Commerce Drive  
Norwalk, Ohio 44857  
www.nciprecast.com  
Toll Free 800.733.3624  
Phone 419.668.8167  
Fax 419.663.0627

MODULAR CATCH BASIN  
2' x 2' x 3' I.D. WITH  
KNOCKOUTS

REVISIONS:	DWG. NO.	DATE	SHT. -
08-03-06	D-0002-02	02-18-02	OF - JDH